

# SULLAIR RFA SERIES

50 Hz and 60 Hz Refrigerated Dryers



**SULLAIR**<sup>®</sup>

*Always air. Always there.*<sup>®</sup>

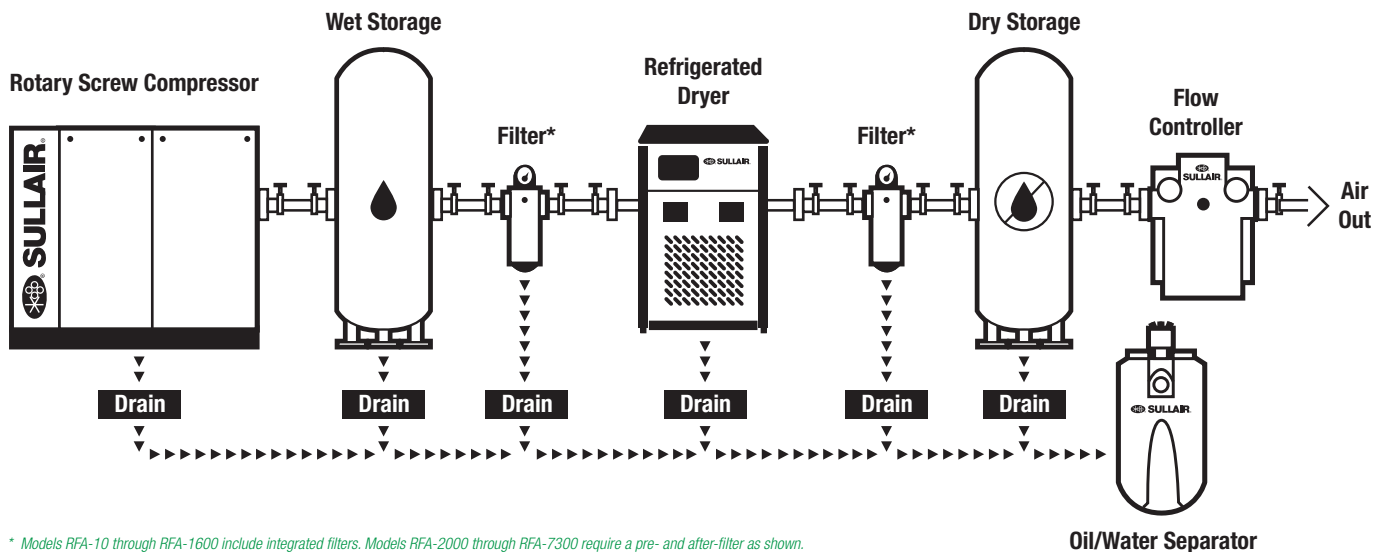
# ABOUT SULLAIR

For more than 50 years, Sullair has been on the leading edge of compressed air solutions. We were one of the first to execute rotary screw technology in our air compressors. And our machines are famous all over the world for their legendary durability. As the industry moves forward, Sullair will always be at the forefront with quality people, innovative solutions, and air compressors that are built to last.

*Sullair was founded in Michigan City, Indiana in 1965, and has since expanded with a broad international network to serve customers in every corner of the globe. Sullair has offices in Chicago and manufacturing facilities in the United States and China – all ISO 9001 certified to assure the highest quality standards in manufacturing. In addition, Sullair Suzhou and Shenzhen facilities are ISO9001, ISO14001 and OHSAS 18001 certified.*

# THE IMPORTANCE OF CLEAN, DRY COMPRESSED AIR

A well-designed air treatment system has a number of critical stages, each contributing to the goal of clean, dry air. The following diagram represents a sample of a complete system from start to finish.



\* Models RFA-10 through RFA-1600 include integrated filters. Models RFA-2000 through RFA-7300 require a pre- and after-filter as shown.

# ADVANCED DESIGN. EFFICIENT PERFORMANCE.

Featuring high-quality engineering in a compact design, the Sullair RF Dryer performs reliably to maximize the quality of your air. Every unit is specially designed according to its flow with the right components to ensure low energy consumption. Other highlights of this durable equipment include a quick start time, efficient operation, and easy access for service and maintenance.

- Digi-pro controller offers one-touch adjustments with digital dew point monitoring, energy-saving mode, maintenance intervals, hour meter and status report. (Available on models RFA-10 through RFA-2300)
- ESD3 controller provides economy features and alarm capabilities. (Available on models RFA-3000 through RFA-7300)
- **Aluminum Plate Heat Exchanger**  
Featuring a state-of-the-art design, this component is standard for all units, and offers some of the industry's best cost savings
  - Very low pressure drop saves compressor power
  - Thin aluminum plate thickness
  - High heat transfer surface area
  - Thick external cylindrical wall offers added strength
  - Water separator optimized for best performance
- **Quick Start and Reaction Times**
  - Provides additional production time
- **Energy Efficiency**
  - Highly energy-efficient R134a refrigerant standard across all models
- **Alarm capabilities standard on all 3Ph dryers**
- **Best-in-class Refrigerant Compressors**
  - Consumes less energy than competitive dryers
  - Scroll compressors — energy efficient and strong against liquid shock — are standard for models RFA-275 through RFA-7300.
- **Pressure Switches**
  - Control the condenser's fan motor for energy saving and system operation at desired conditions
- **Safe and Easy Electrical Wiring**
  - There are very few electrical wires inside the refrigerant side of the dryer. Electrical box has an external cover with outside access, so there is no need to open dryer panels for electrical access.
- **Dew Point Indicator Standard**
  - Indicator is standard on control panel (for models RFA-10 through RFA-3000). Digital cycling capabilities standard on RFA-3460 through RFA-7300.
- **Dew Point of 32°F to +50°F Depending on Working Conditions**
- **Sullair Warranty: 2 Years**
- **Electrical Conformance Standards: UL-508A**
- **Compact Design**
  - Suitable for small installation spaces.
  - Two filters integrated into the dryer, which saves piping cost, space, and labour time for technicians and end users.
  - Flexibility and economy during transportation
- **Easy Access**
  - Cooling components easily accessible through screw-free panels and plastic handles

AMBIENT CONSIDERATIONS	
Normal Operating Pressure	100 psig / 6.89 bar
Normal Operating Temperature	95°F / 35°C
Normal Ambient Temperature	77°F / 25°C
Maximum Operating Pressure	230 psig / 16 bar
Minimum Operating Pressure	58 psig / 4 bar
Maximum Ambient Temperature	113°F / 45°C
Minimum Ambient Temperature	40°F / 4°C
Maximum Operating Temperature	122°F / 50°C



# TECHNICAL SPECIFICATIONS

**REGION: LATIN AMERICA**    **FREQUENCY: 50 and 60 Hz**    **THREADS: NPT**

MODEL	RATED FLOW	STANDARD VOLTAGE		PORT SIZE	INTEGRATED FILTERS	WIDTH		DEPTH		HEIGHT		50 HZ WEIGHT		60 HZ WEIGHT	
		scfm	50 Hz			60 Hz	in	mm	in	mm	in	mm	lbs	kg	lbs
RFA-10	13	220/1/50	230/1/60	1/2" NPT	FXF-25 + FXH-25	13.91	353	16.65	423	21.93	557	72	33	72	33
RFA-20	22	220/1/50	230/1/60	1/2" NPT	FXF-25 + FXH-25	13.91	353	16.65	423	21.93	557	72	33	72	33
RFA-30	31	220/1/50	230/1/60	1/2" NPT	FXF-25 + FXH-25	13.91	353	16.65	423	21.93	557	72	33	72	33
RFA-50	59	220/1/50	230/1/60	3/4" NPT	FXF-65 + FXH-65	17.85	453	18.64	473	32.75	832	113	51	113	51
RFA-75	91	220/1/50	230/1/60	3/4" NPT	FXF-65 + FXH-65	17.85	453	18.64	473	32.75	832	117	53	117	53
RFA-100	112	220/1/50	230/1/60	3/4" NPT	FXF-65 + FXH-65	17.85	453	18.64	473	32.75	832	122	55	122	55
RFA-125	124	220/1/50	230/1/60	1 1/2" NPT	FXF-240 + FXH-240	19.84	504	21.81	554	34.40	874	172	78	172	78
RFA-175	179	220/1/50	230/1/60	1 1/2" NPT	FXF-240 + FXH-240	19.84	504	21.81	554	34.40	874	183	83	183	83
RFA-210	221	220/1/50	230/1/60	1 1/2" NPT	FXF-240 + FXH-240	19.84	504	21.81	554	34.40	874	190	86	190	86
RFA-275	291	220/1/50	230/1/60	2" NPT	FXF-475 + FXH-475	25.51	648	26.69	678	45.56	1157.5	354	161	354	161
RFA-350	366	220/1/50	230/1/60	2" NPT	FXF-700 + FXH-700	25.51	648	26.69	678	45.56	1157.5	364	165	364	165
RFA-500	547	220/1/50	230/1/60	2" NPT	FXF-700 + FXH-700	28.66	728	37.32	948	53.91	1369.5	485	220	485	220
RFA-650	706	220/1/50	230/1/60	2" NPT	FXF-700 + FXH-700	28.66	728	37.32	948	53.91	1369.5	507	230	507	230
RFA-800	816	400/3/50	460/3/60	3" NPT	FXF-1000 + FXH-1000	31.44	798	37.32	948	57.45	1459.5	595	270	595	270
RFA-1000	1059	400/3/50	460/3/60	3" NPT	FXF-1000 + FXH-1000	31.44	798	37.32	948	57.45	1459.5	629	285	629	285
RFA-1460	1471	400/3/50	460/3/60	3" NPT	FXF-1600 + FXH-1600	30.63	778	45.79	1163	67.81	1722	864	392	864	392
RFA-1600	1632	400/3/50	460/3/60	3" NPT	FXF-1600 + FXH-1600	30.63	778	45.79	1163	67.81	1722	904	410	904	410
RFA-2000	1959	400/3/50	460/3/60	DN100	—	33.35	847	55	1397	69.65	1769	1085	492	1085	492
RFA-2300	2303	400/3/50	460/3/60	DN100	—	33.35	847	55	1397	69.65	1769	1146	520	1146	520
RFA-3000	2991	400/3/50	460/3/60	DN100	—	42.40	1077	57.76	1467	75.83	1926	1535	696	1535	696
RFA-3460	3441	400/3/50	460/3/60	DN100	—	42.40	1077	57.76	1467	75.83	1926	1583	718	1583	718
RFA-4000	4103	400/3/50	460/3/60	DN150	—	41.81	1062	86.13	2188	75.75	1924	1984	900	1984	900
RFA-4600	4632	400/3/50	460/3/60	DN150	—	41.81	1062	86.13	2188	75.75	1924	1984	900	2035	923
RFA-5200	5294	400/3/50	460/3/60	DN150	—	47.24	1200	88.46	2247	80.46	2044	3528	1600	2150	975
RFA-6100	6176	400/3/50	460/3/60	DN200	—	47.24	1200	88.46	2247	80.46	2044	4116	1867	2450	1111
RFA-7300	7353	400/3/50	460/3/60	DN200	—	61.02	1550	104.33	2650	82.68	2100	4900	2223	3090	1402

**FOR ALL MODELS:**

Pressure Drop: <3 psig

Max Working Pressure: 230 psig

Max Ambient Temperature: 113°F / 45°C

Max Inlet Temp: 122°F / 50°C

CORRECTION FACTORS FOR RFA DRYERS								
Inlet Temperature (°C)	30	35	40	45	50	60	-	-
F1	1.29	1.00	0.92	0.78	0.65	0.45	-	-
Ambient Temperature (°C)	20	25	30	35	40	50	-	-
F2	1.05	1.00	0.98	0.93	0.84	0.70	-	-
Pressure (bar)	4	6	7	8	10	12	14	16
F3	0.80	0.94	1.00	1.04	1.11	1.16	1.22	1.25

For more information, contact your local authorized Sullair distributor.